



**Shenzhen HSC Electronics Co.,Ltd**

**Outdoor Indoor Perimeter LED Display**

**Pitch: 6.67mm, 8mm, 10mm**

**Web: [www.hscled.com](http://www.hscled.com)**

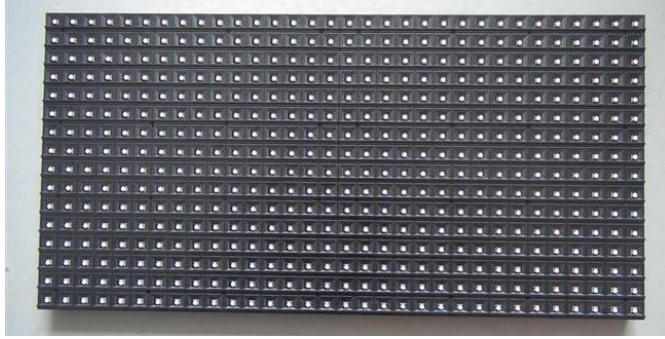
**Email: [sales@hscled.com](mailto:sales@hscled.com)**

**Mobile: +86 198 6770 2730**

# P6.67 P8 P10 Perimeter LED Display

LED Module

Module size: 320x160mm



LED Cabinet

Cabinet size: 960x960mm



Screen



Project Case





## Sport Perimeter LED Display

- Sport Perimeter LED display is also called perimeter advertising boards. They are giant banner display.
- The perimeter advertising boards are effective and show continuous advertising messages across the entire perimeter. Our sport perimeter LED displays and LED screens for football stadiums are convenient to install and disassemble.



## P6.67 P8 P10 Perimeter LED display

- Pixel Pitch: 6.67mm, 8mm, 10mm
- Brightness:  $\geq 6500$ nits
- Cabinet Size: 960×960mm
- Cabinet Weight: 28kg

### Die-Casting Aluminum Cabinet



# P6.67 P8 P10 Perimeter LED display

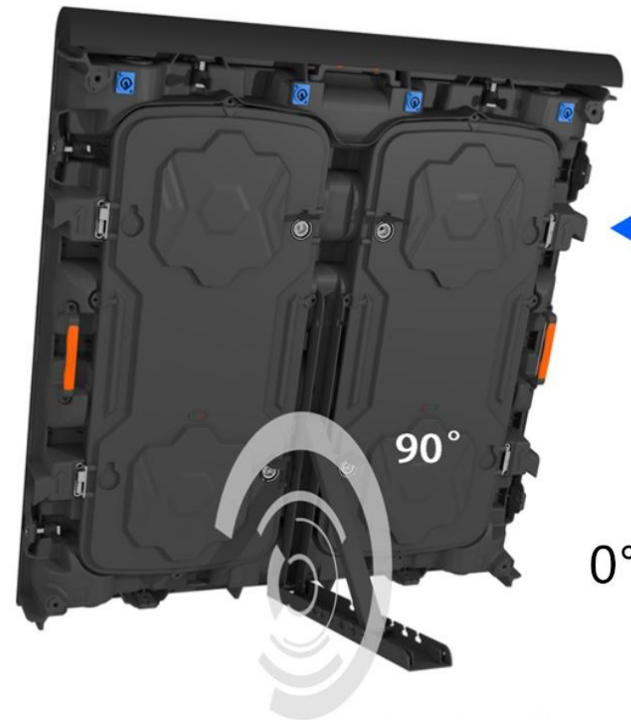


01

New structure design. It can meet the needs of rental, perimeter and fixed installation.

02

Angle adjustable back bracket. User can adjust the best viewing angle for audience.



0°-90° adjustable bracket



### 03 Using fast lock for fast assembling



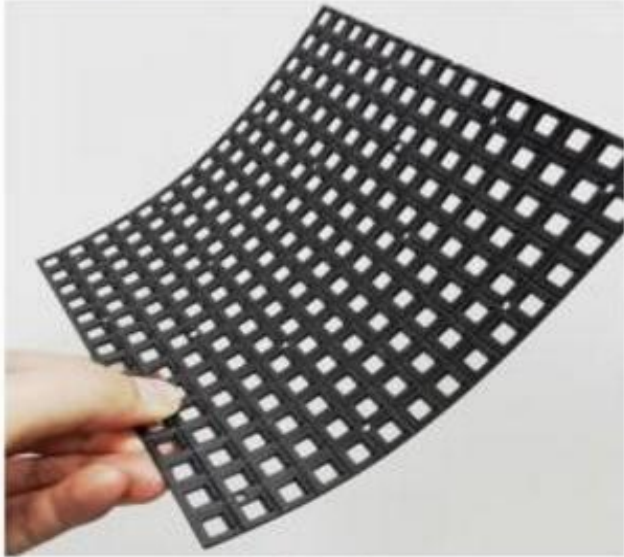
Soft Top Cover



### 04

Rubber on the top of cabinet. Soft top cover can defuse the hitting.

## Safety



module mask

05

The soft module mask effectively prevent athletes from being injured by unexpected bump and hit.

## High Refresh Rate



Low refresh rate



High refresh rate

06

Smooth display image is realized shooting with 1920HZ refresh rate even under professional shutter camera shooting



## 07 High Brightness and Energy-Saving

With 28 core patent technologies, whole saving energy  $\geq 50\%$ , energy saving and environment protection.



## 08 IP65 for Outdoor Use

Particularly for outdoor high resolution, the screen can adapt extreme weather.





# Specification

Pitch	6.67mm	8mm	10mm
Pixel Density	22,477 Pixel/m <sup>2</sup>	15,625 Pixel/m <sup>2</sup>	10,000 Pixel/m <sup>2</sup>
Pixel Composition	SMD3535		
Module Size	320×160mm		
Cabinet Size	960×960mm		
Cabinet Resolution	144×144 Pixel	120×120 Pixel	96×96 Pixel
Cabinet Material	Die-Casting Magnesium		
Cabinet Weight	28kg		
Brightness	6500cd		
Max. Power	900W		
Ave. Power	350W		
Grey Scale	16 Bit		
IP Grade	IP65		
Refresh Rate	>1920hz/3840hz		
MTBF	10,000 Hours		
Lifespan	100,000 Hours		

# References

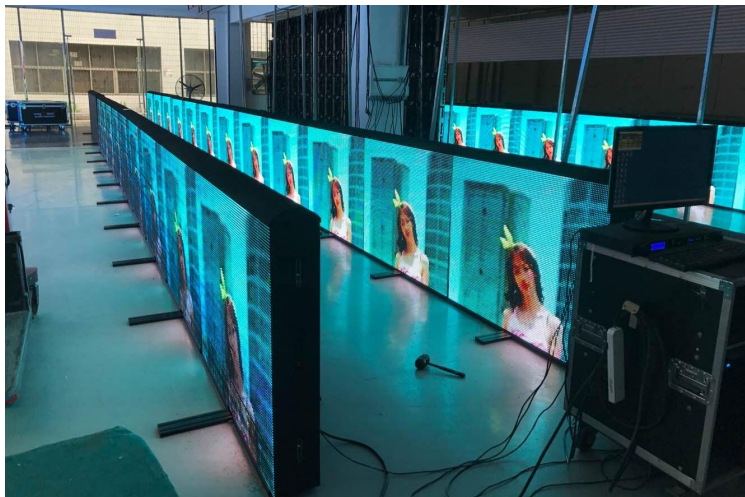
01



03



02



04

