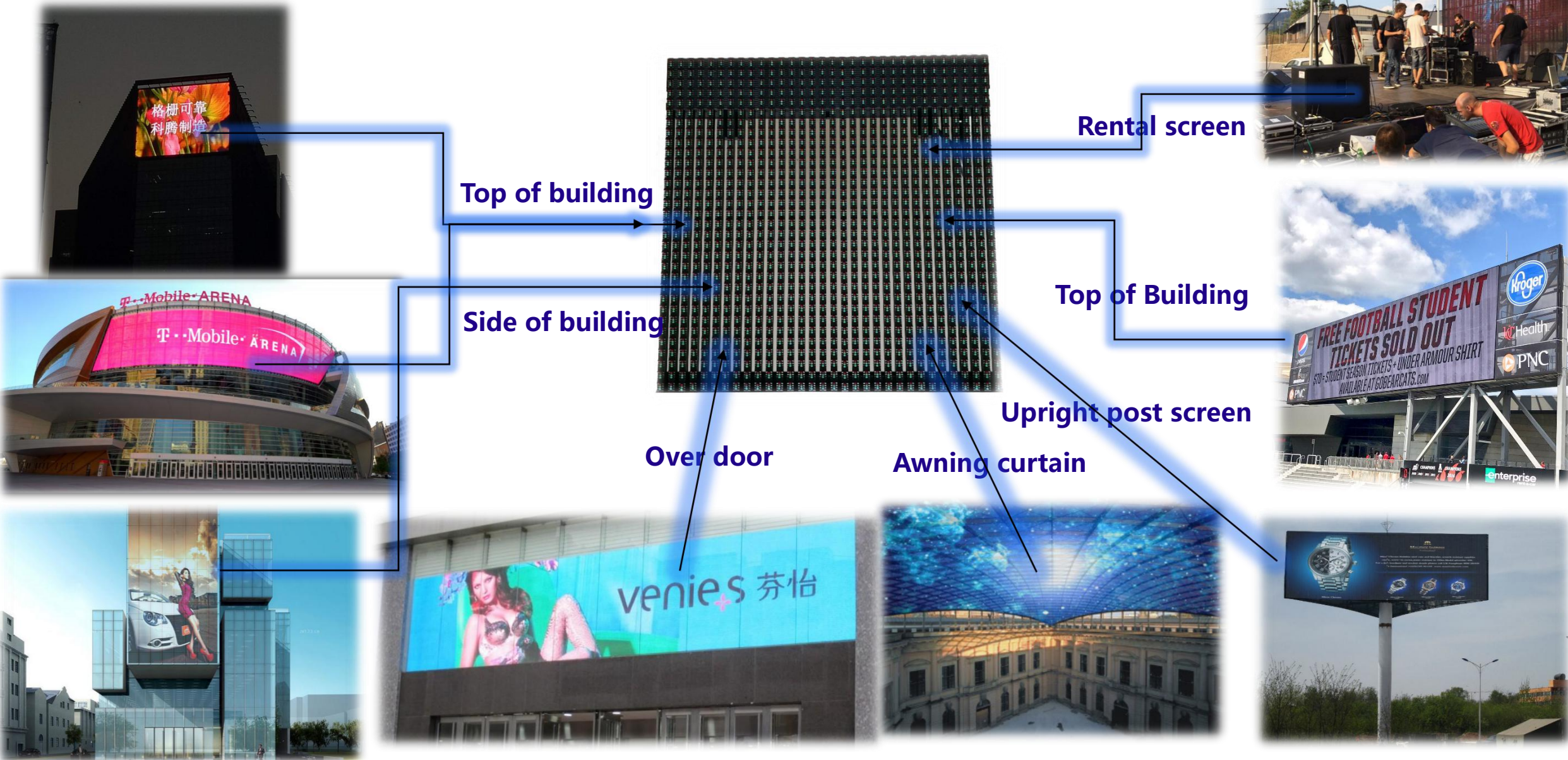


Shenzhen HSC Electronics Co.,Ltd



- Web: www.hsclcd.com
- Email: sales@hsclcd.com
- Mobile: +86 198 6770 2730

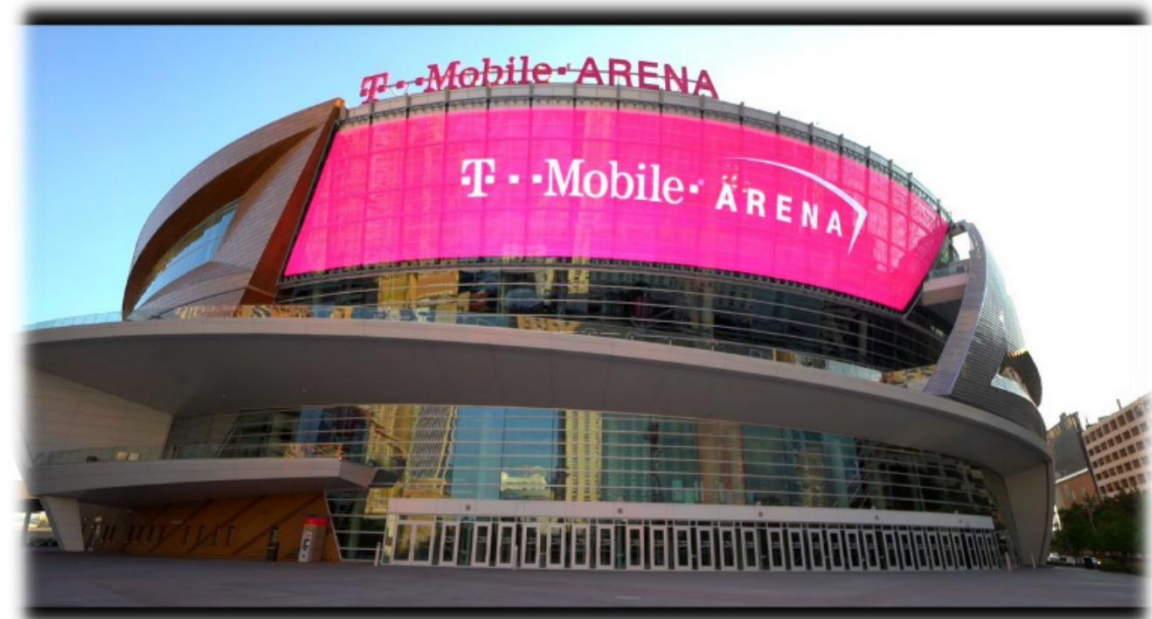
1. Applications



Top of Building



The Wall of Building



Over Door



Awning Curtain



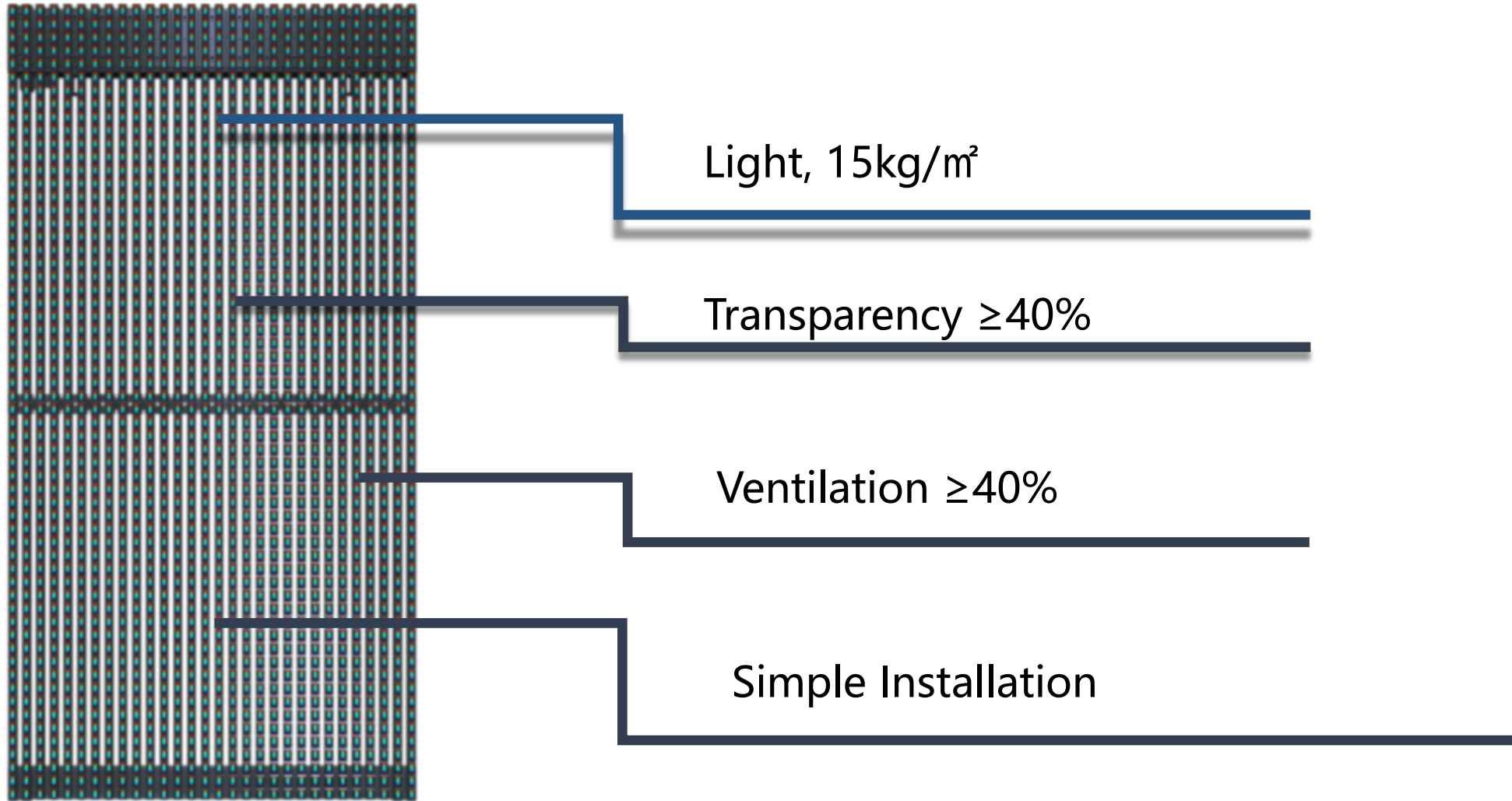
Upright Pole Screen



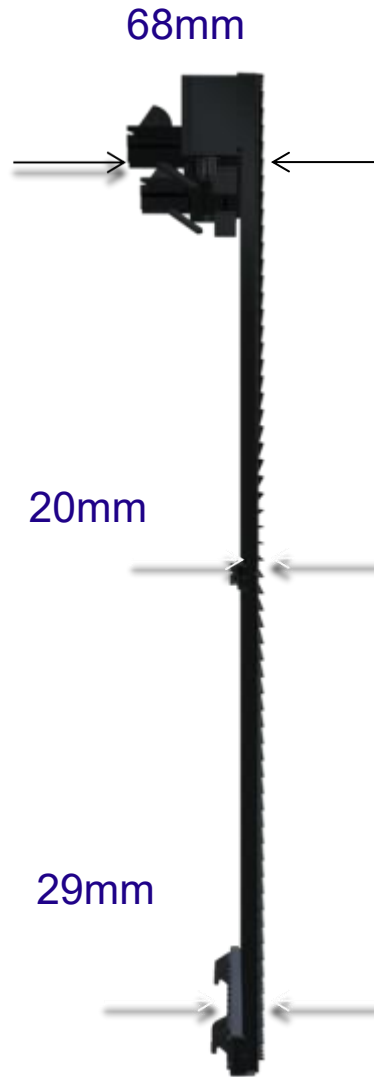
Rental Screen



2. Features



Thin



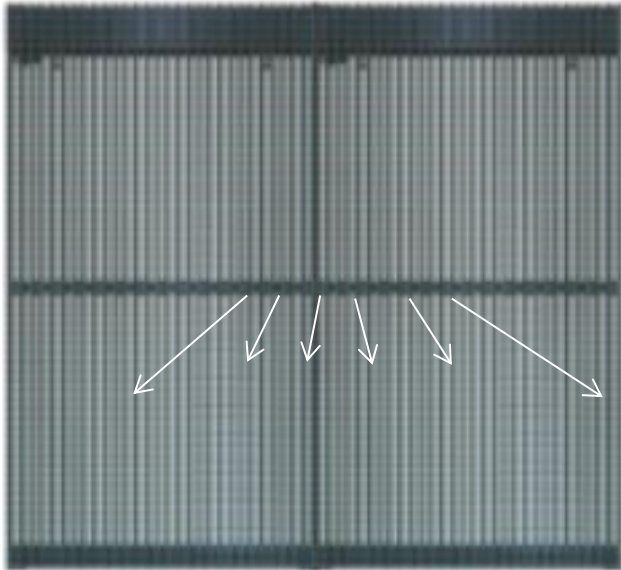
15 Kg/m²

Traditional LED Display **56** Kg/m²

Construction: **6** kg/m²

Traditional LED Display: **30** kg/m²

Flowing air



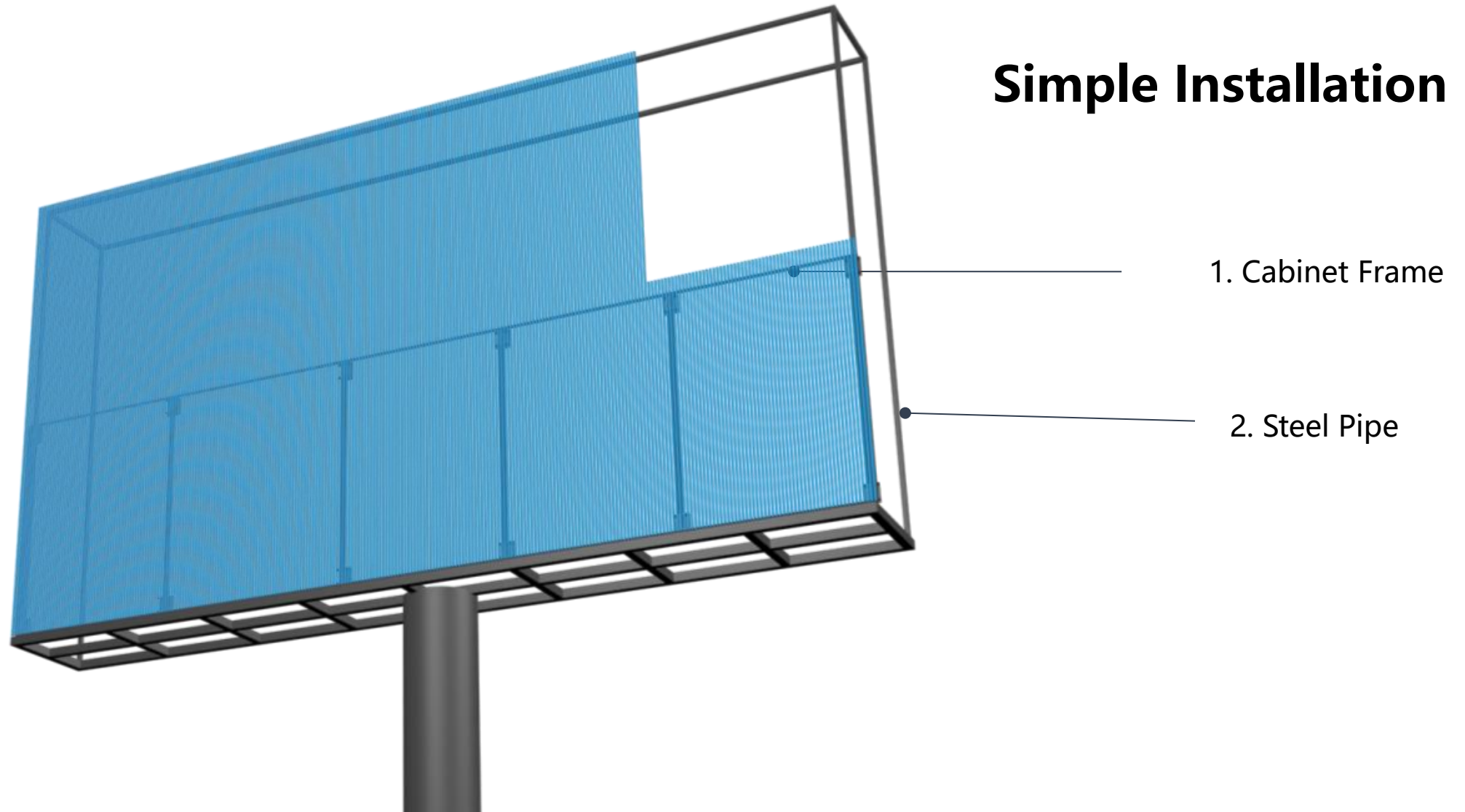
Ventilation 30%-90%
Ensure the natural ventilation of buildings

Transparency 30%-80%
Ensure the natural lighting of buildings



Lighting through

Simple Installation



Fast

Quick & Easy Installation

Front and rear maintenance





Dual backup power supply

Low failure rate

Save a Lot



Compared with traditional LED display

Save 50% steel structure

Save 80% Labor

Save 55% freight

Save 80% maintenance cost

Save 60% energy

3. Comparison of Traditional LED Display

Influence appearance



Heat-dissipation difficulty

Huge construction



Installation difficulty

Impact lighting



High wind resistance

4. Specifications

SMD Series		
Item	CP8.33-12.5S	CP15S
Pitch	8.33-12.5mm	15mm
Density	9600	4096
Brightness	≥6500nit	≥5500nit
Drive Mode	Constant Current Static Drive	
Refresh Rate	≥1920Hz	≥1920Hz
Ave. Consumption	160W	120W
Max. Consumption	450W	350W
Unit Size	500X1000mm	
Weight	16kg/m ²	12kg/m ²
View Angle	≥120°	≥120°
View Distance	10-200 (depend on the size of screen)	15-300 (depend on the size of screen)
Working Temp.	-40°C to +60°C	
Maintenance	Front/Rear	
Lifespan	100000 hours/ warranty 2 years	
Waterproof	IP67	
Transparency	50%	65%

DIP Series

Item	CP15	CP15/31	CP31	CP25	CP25/50	CP50
Pitch	15	15*31	31	25	25*50	50
Density	4096	2048	1024	1600	800	400
Brightness	≥7500cd	≥7000	≥5500	≥6000	≥4000	≥3000
Drive Mode	Constant Current Static Drive					
Refresh Rate	≥240					
Av. Consumption	180	120	92	108	78	48
Max. Consumption	480	360	240	300	180	120
Unit Size	500X1000 500X500					
Weight	16	13	10	11	8	6
View Angle	≥120°/ 75°					
View Distance	15-1500	15-1500	30-2000	25-2000	40-2000	50-2000
Working Temp.	-40°C to +60°C					
Maintenance	Front/Rear					
Lifespan	100000 hours/ warranty 2 years					
Waterproof	IP67					
Transparency	40%	60%	75%	85%	UP 90%	UP 90%